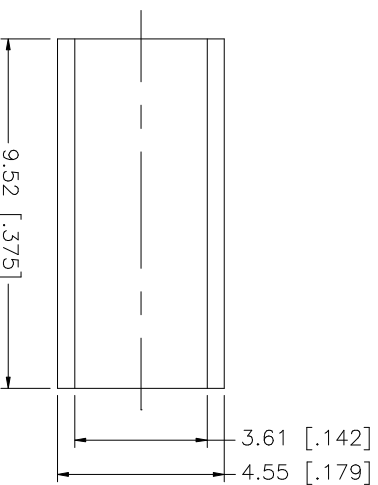
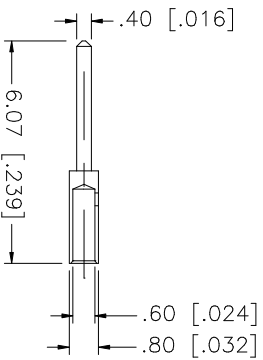
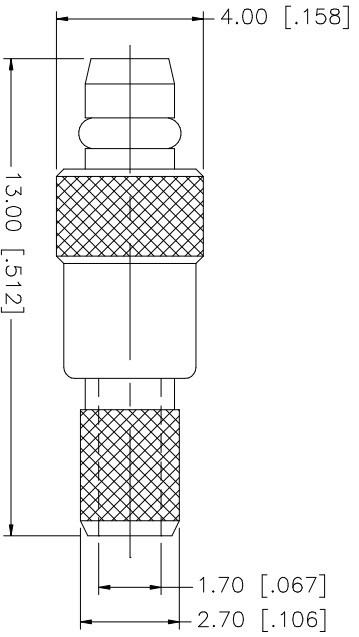
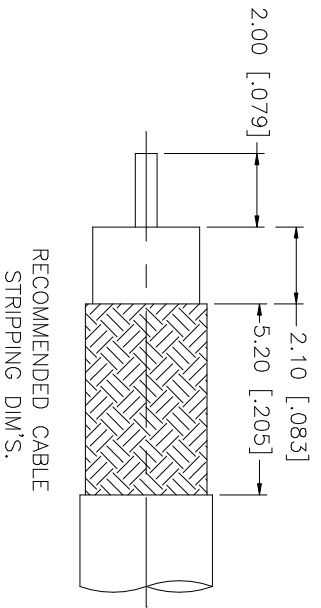


REV.	DATE	DESCRIPTION
A	06/05/03	UPDATE FERRULE DIMENSIONS



NOTE:  
 1. CRIMPED FERRULE  
 HEX CRIMP SIZE .151"  
 2. CONTACT PIN TO SOLDER.

UNLESS OTHERWISE SPECIFIED DIMENSIONS ARE IN MILLIMETERS DIMENSIONS IN [ ] ARE IN INCHES AND FOR CUSTOMER REFERENCE ONLY.	UNLESS OTHERWISE SPECIFIED DIMENSIONS FOR THIS DRAWING ARE:	UNLESS OTHERWISE SPECIFIED DIMENSIONS FOR INCHES ARE:	APPROVALS	DATE	PART DESCRIPTION	
8			DRAWN	G.R.S.	06/05/03	<b>Amphenol Connex</b> MMCX CRIMP PLUG (FOR 316/U DOUBLE BRAID CABLE) 262110
7			CHECKED			
6			ISSUED			
5	FERRULE	COPPER	SHEET	1 OF 1		
4	RETAINER RING	BER. COPPER				
3	CONTACT PIN	BRASS				
2	INSULATOR	TEFLON				
1	BODY	BRASS				
DESCRIPTION		MATERIAL	FINISH	QTY		

DO NOT SCALE DRAWING

CAD FILE  
 C:/262/262110.DWG

DWG. NO. 262110.DWG  
 REV. A  
 SIZE A  
 SCALE NA